



CONTACT SMART CARD READER

ACR40U

VERSATILE & CONVENIENT

Introducing the ACR40U, ACS's latest compact high-speed USB contact smart card reader. It provides seamless support for **ISO 7816 Class A, B, and C smart cards, microprocessor cards using T=0 and T=1 protocols**, and a wide range of memory cards available in the market.

The ACR40U features two LED lights, indicating card and reader status. Exciting new additions include **firmware upgradability and on-device user data storage**, catering to various application scenarios.

The ACR40U ensures compliance with CCID, PC/SC, and Microsoft® WHQL standards. It offers compatibility with multiple operating systems such as **Windows®, Linux®, macOS, iOS, iPadOS, and Android™**.

Furthermore, both **USB Type-A and Type-C** interface options are available, allowing for seamless connectivity and expanding the reader's versatility and convenience.

KEY FEATURES

- ✔ **Supports Various Types of Contact Cards**
 - ISO 7816 Class A, B and C (5 V, 3 V and 1.8 V)
 - Microprocessor Card (T=0, T=1)
 - Memory Card
 - MyKad, CAC, J-LIS, SIPRNET Cards
- ✔ **Supports Firmware Upgrade**
- ✔ **Supports User Data Storage**
- ✔ **Reliable**
 - Certified for international regulations
 - CE, FCC, UKCA, VCCI, RoHS, REACH, WEEE, UL 62368, IEC/EN 62368, EMV™ Level 1 (Contact), PBOC Level 1 (Contact), KC, J-LIS, TAA, Microsoft® WHQL
- ✔ **Compatible**
 - Supports all major operating systems
 - Windows®, Linux®, macOS, iOS, iPadOS, Android™, Solaris™



COMMON APPLICATIONS

- e-Government
- e-Banking and e-Payment
- e-Healthcare
- Public Key Infrastructure
- Network Security
- Access Control
- Loyalty Program



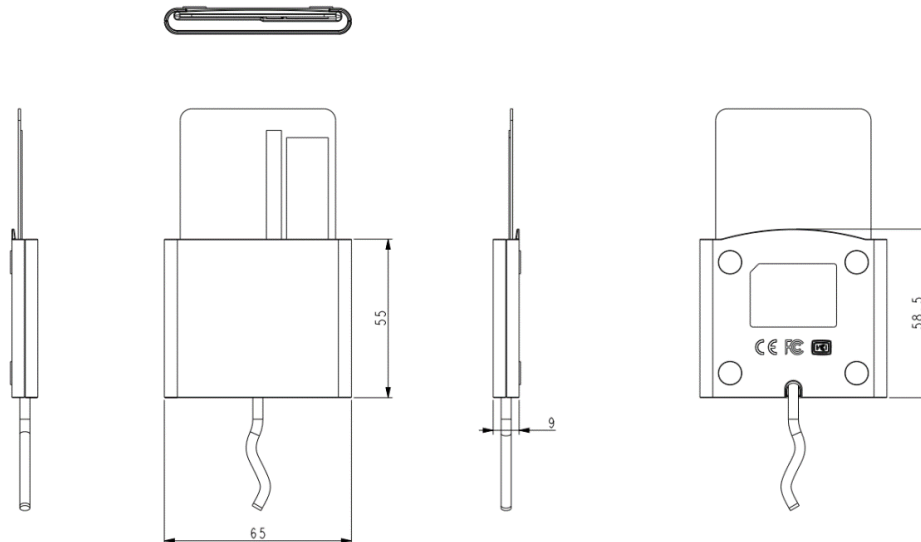
TECHNICAL SPECIFICATIONS

| Contact Smart Card Interface | |
|---|---|
| Number of Slot(s) | 1 Full-Sized Card Slot |
| Supported Card Types | ISO 7816 Parts 1-4, Class A, B, C (5 V, 3 V, 1.8 V), Microprocessor Card (T=0, T=1), Memory Card, MyKad, CAC, J-LIS, SIPRNET Card |
| Supply Current | Max. 50 mA |
| Read/Write Speed | 9.6 – 600 Kbps |
| Clock Frequency | 4.80 MHz; Operates Up to 16MHz |
| Card Connector | Contact |
| Card Insertion Cycles | Min. 200,000 |
| PPS (Protocol and Parameters Selection) | Supported |
| Short Circuit Protection | Supported |
| Host Interface | |
| Protocol | USB CCID |
| Connector Type(s) | Standard Type-A, Type-C |
| USB Interface | USB 2.0 Full Speed (12Mbps) Compatible with USB 3.0 |
| Supply Voltage | 5 V |
| Cable Length | 1m (Fixed) |
| Application Programming Interface | |
| PC-Linked Mode | PC/SC |
| Other Features | |
| Firmware Upgrade | Supported |
| User Data Storage | Supported (Max 64 bytes) |

| Physical Characteristics | |
|------------------------------|---|
| Dimensions | 55.0mm (L) × 65.0mm (W) × 9.0mm (H) |
| Weight | 40.0 g ± 5.0 g |
| Available Colour(s) | White |
| Peripherals | |
| LED | Blue, Green |
| Operating Conditions | |
| Temperature | 0 - 65°C |
| Humidity | 95% (Non-Condensing) |
| MTBF | 600,000 Hours |
| Certifications & Compliances | |
| Certifications | CE, FCC, UKCA, VCCI, RoHS, REACH, WEEE, UL 62368, IEC/EN 62368, EMV™ Level 1 (Contact), PBOC Level 1 (Contact), KC, J-LIS, TAA, Microsoft® WHQL |
| Compliances | USB CCID, PC/SC |
| Driver Supported OS | |
| Driver Supported OS | Windows®, Linux®, macOS, iOS, iPadOS, Android™, Solaris™ |
| Model/Part Number | |
| Default [USB Type-A] | ACR40U-A1 |
| Default [USB Type-C] | ACR40U-AF |

MECHANICAL SPECIFICATIONS

Note: All dimensions in mm



About ACS

Advanced Card Systems Ltd. (ACS), founded in 1995, is Asia Pacific's top supplier and one of the world's top 3 suppliers of PC-linked smart card readers. ACS is the winner of the Product Quality Leadership Award for Smart Card Readers from Frost & Sullivan. ACS was listed in Forbes Asia's "Best Under a Billion" list for several years, an inter-industry list comprised of 200 top-performing publicly listed companies in the Asia-Pacific, with sales between US\$5 million and US\$1 billion. ACS develops a wide range of high-quality smart card reading/writing devices, smart cards and related products and distributes them to over 100 countries worldwide.

Click [here](#) for Sales Enquiry

Tel: +852-2796-7873

Fax: +852-2796-1286

Android is a trademark of Google LLC.

Linux® is the registered trademark of Linus Torvalds in the U.S. and other countries.

macOS is a trademark of Apple Inc., registered in the U.S. and other countries.

Microsoft® and Windows® are either registered trademarks or trademarks of the Microsoft Corporation in the United States and/or other countries.



www.acs.com.hk

info@acs.com.hk