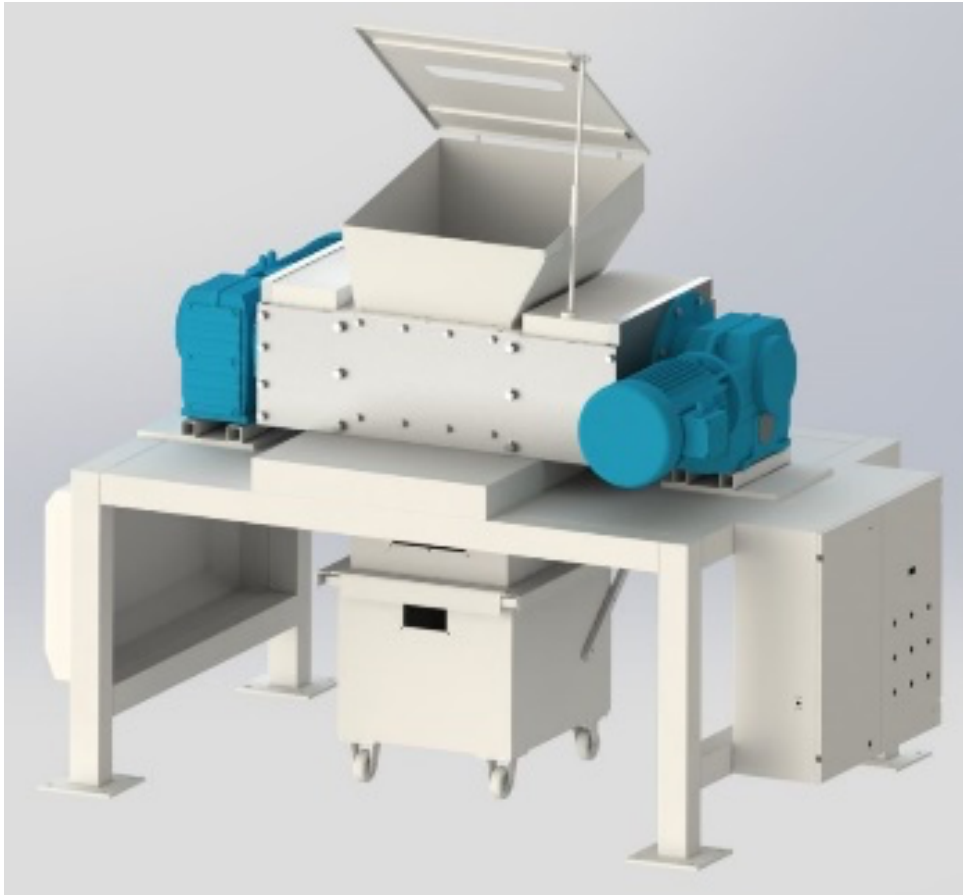


BOWA DP S85 Grind double shaft shredder



DEPEI INTERNATIONAL SRL

Legal address: via G. Marconi, 49 - 40122 Bologna - Italy

Offices: via B. Buozzi, 52 - 40057 Granarolo Dell'Emilia BO - Italy

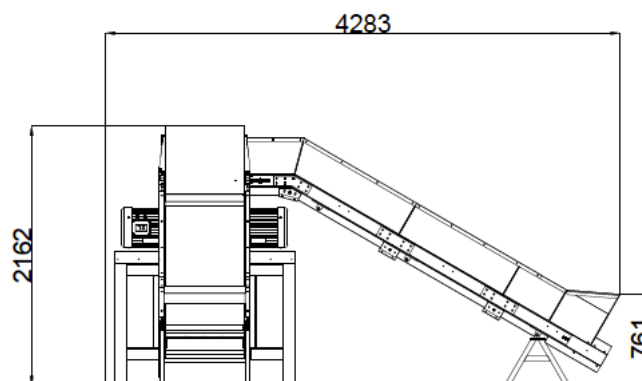
Tel. +39 051 0393873 • Fax +39 051 0393870 • E-mail: info@depei.it • www.depei-intl.com

Cap. Soc. € 80.000,00 i. v. - Registro Imprese n. 03307931208 - R.E.A. BO 508810

VAT No: IT 03307931208

BOWA DP S85 Grind two Shaft Shredding System

Driving system	Motor +reduction gears
Shredding mode	Two shaft cross cutting, shredding soft and hard material
Shredding materials	HDD, small notebook, plastic material, mobile phone, small server, ssd, cd, uniforms, boots etc etc
Knife description	42 CrMo high alloy steel, single cutting body knife
Reducer	High efficiency Reducer
Sealed chamber	Sealed bearings protection to ensure dust-proof and waterproof.
PLC Control	Siemens
Overloading protection	PLC monitor. Auto stop and reverse running.
Structure	Input hopper Shredder base height Conveyor belt can be custom made (optional)
Certificate	Machine is CE certified, ISO 9001-2015



DEPEI INTERNATIONAL SRL

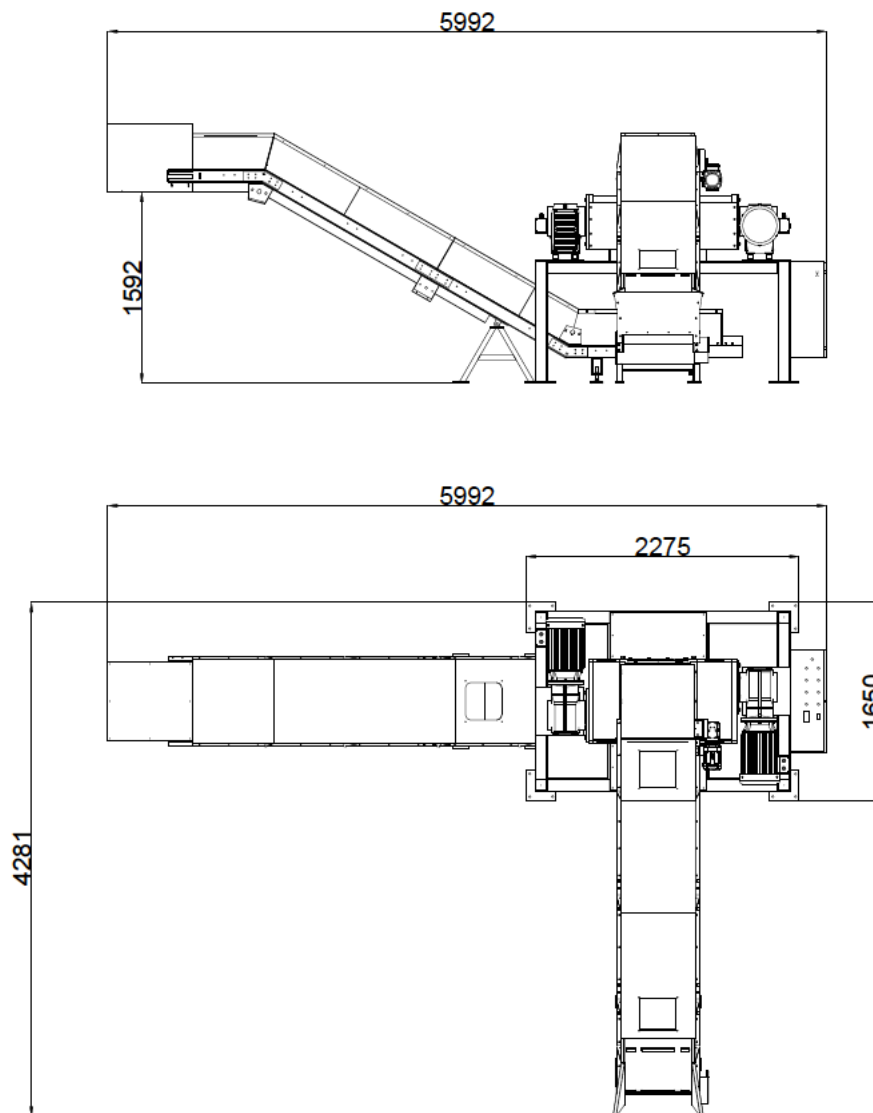
Legal address: via G. Marconi, 49 - 40122 Bologna - Italy

Offices: via B. Buozzi, 52 - 40057 Granarolo Dell'Emilia BO - Italy

Tel. +39 051 0393873 • Fax +39 051 0393870 • E-mail: info@depei.it • www.depei-intl.com

Cap. Soc. € 80.000,00 i. v. - Registro Imprese n. 03307931208 - R.E.A. BO 508810

VAT No: IT 03307931208



DEPEI INTERNATIONAL SRL

Legal address: via G. Marconi, 49 - 40122 Bologna - Italy

Offices: via B. Buozzi, 52 - 40057 Granarolo Dell'Emilia BO - Italy

Tel. +39 051 0393873 • Fax +39 051 0393870 • E-mail: info@depei.it • www.depei-intl.com

Cap. Soc. € 80.000,00 i. v. - Registro Imprese n. 03307931208 - R.E.A. BO 508810

VAT No: IT 03307931208



BOWA DP S85 two shaft shredder specifications*

Driving knife material	42 NiCrMo high alloy steel
Number of knife	18
Cutting teeth per knife	9
Driving knife (main) diameter / thickness	Φ290 mm , 30mm
Cutter Shaft	Φ92 mm
Shredding Chamber	640x700 mm
Speed (r/min)	25
Cutting Size	30x35 mm + random
DIN 66399	H4 – O1 – T2 – E1/2
Capacity	>800 kg Per hour depending on feeding and material type, power supply and cutting device in mint condition
Power	22 kw(11 Kwx2)/ 380 V +/- 5 % 50/60 Hz
Size mm	L2600xH1500xW1950
weight (kg)	3300
Delivery date	60/90 days
Warranty	12 months after installation

*Specification are for references only, Depei reserve the right to bring about any changes or improvements deemed necessary in its products range.

DEPEI INTERNATIONAL SRL

Legal address: via G. Marconi, 49 - 40122 Bologna - Italy

Offices: via B. Buozzi, 52 - 40057 Granarolo Dell'Emilia BO - Italy

Tel. +39 051 0393873 • Fax +39 051 0393870 • E-mail: info@depei.it • www.depei-intl.com

Cap. Soc. € 80.000,00 i. v. - Registro Imprese n. 0330793

VAT No: IT 03307931208